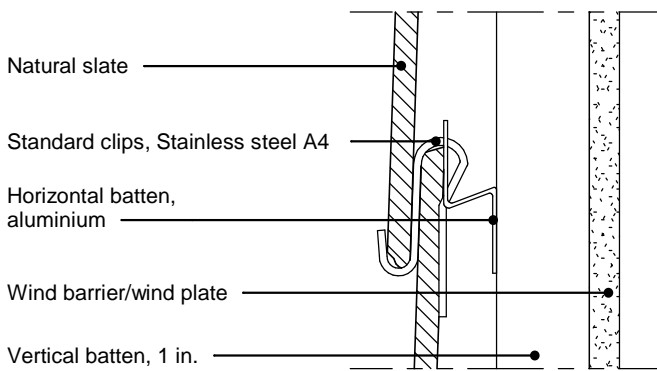


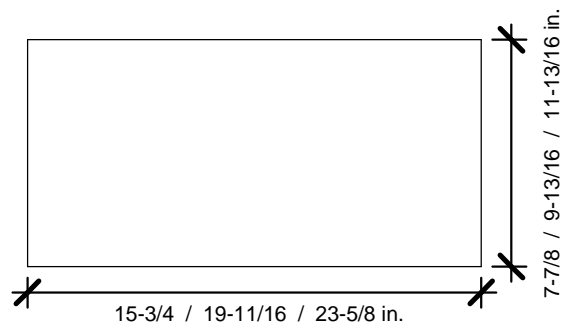
Z-0 - Elevation
1 : 20

For the bottom, use the starter batten and starter clips

	11-13/16 x 23-5/8 in.	9-13/16 in. x 19-11/16 in.	7-7/8 x 15-3/4 in.
X1	10-5/8 in.	8-11/16 in.	6-11/16 in.
X2	8-11/16 in.	6-11/16 in.	4-3/4 in.



Z-0 - Cut
6" = 1'-0"



Z-0 - Natural slate
1 : 10

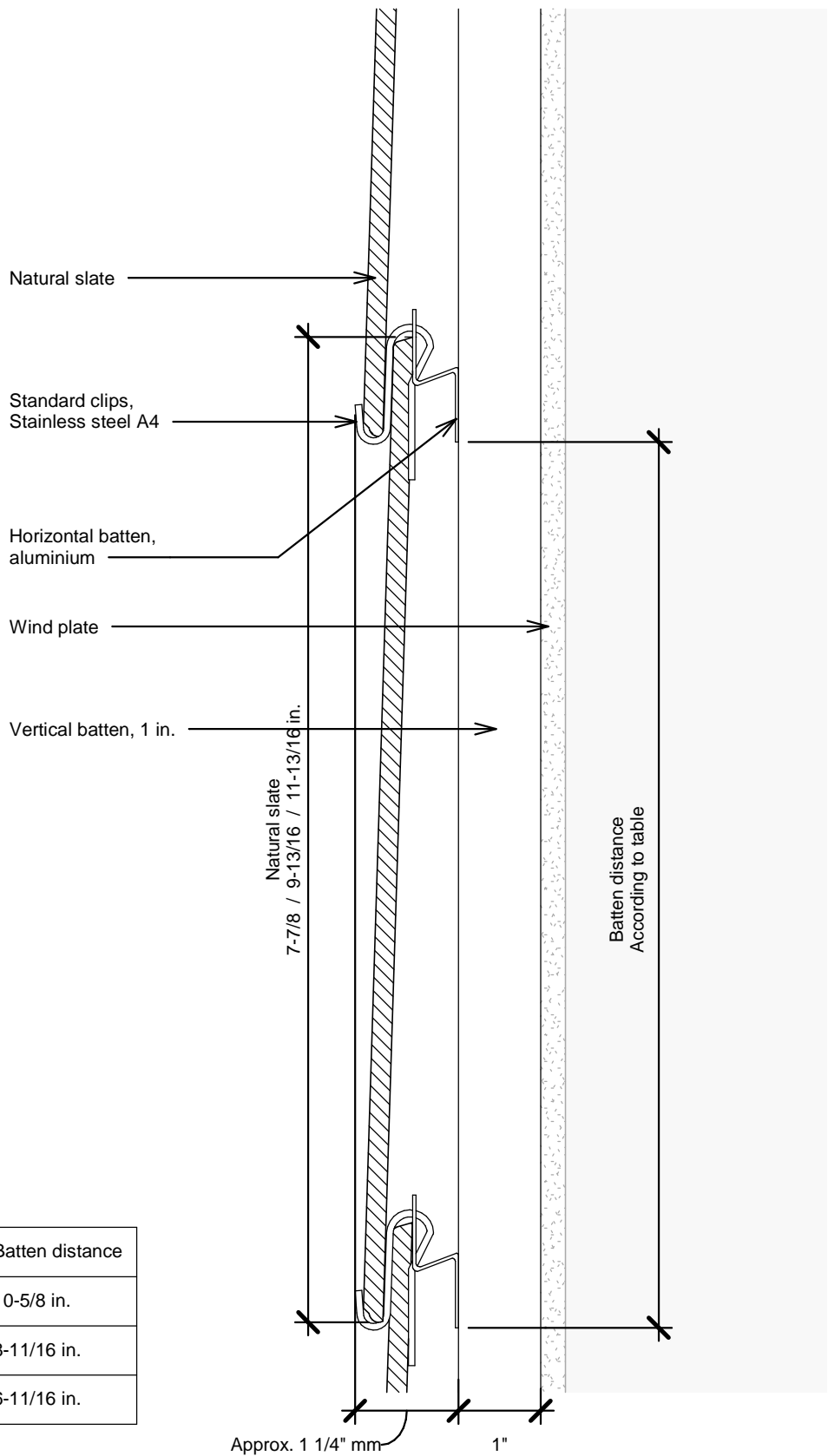
The drawing is not to scale.

Copyright © Komproment Danish Building Design

Z-0	Komproment Zappa system		
Date: 10-11-2019	As indicated	ZAPPA	Tlf: +45 96520710 Fax: +45 96520111 E-Mail: Teknik@komproment.dk Web: www.komproment.com

NOTE: Komproment Danish Building Design make drawings available in the version they are. All use of the drawings is at your own risk and responsibility. The drawings are continually updated with relevant updates/changes on our website. You are responsible for keeping up-to-date with the changes. The drawings are made available in the following FORMATS: PDF and DWG. All drawings are indicative. There is no guarantee that the drawings are suitable for all purposes.

KOMPROMENT
DANISH BUILDING DESIGN



Slate size	Batten distance
11-13/16 x 23-5/8 in.	10-5/8 in.
9-13/16 in. x 19-11/16 in.	8-11/16 in.
7-7/8 x 15-3/4 in.	6-11/16 in.

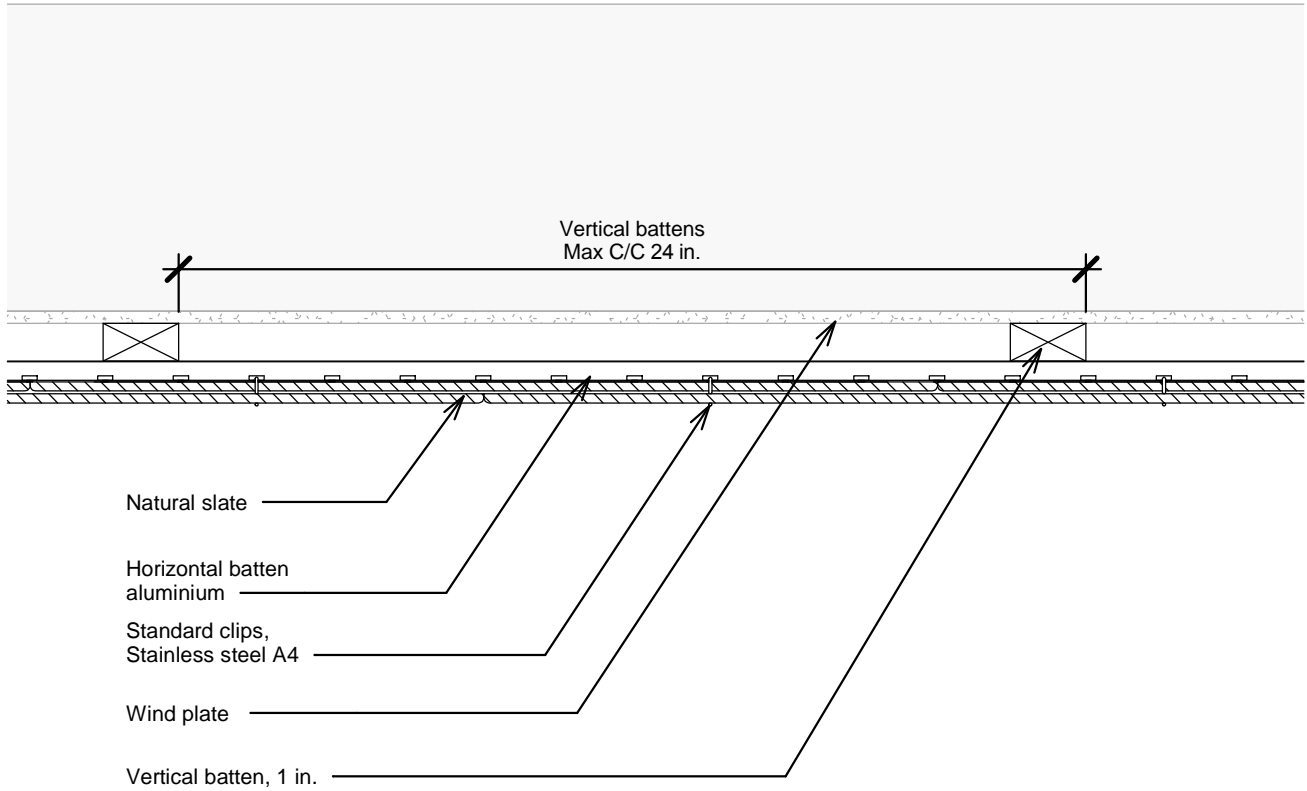
The drawing is not to scale.

Copyright © Komproment Danish Building Design

Z-1	Section detail		
Date: 10-11-2019	6" = 1'-0"	ZAPPA	Tlf: +45 96520710 Fax: +45 96520111 E-Mail: Teknik@komproment.dk Web: www.komproment.com

NOTE: Komproment Danish Building Design make drawings available in the version they are. All use of the drawings is at your own risk and responsibility. The drawings are continually updated with relevant updates/changes on our website. You are responsible for keeping up-to-date with the changes. The drawings are made available in the following FORMATS: PDF and DWG. All drawings are indicative. There is no guarantee that the drawings are suitable for all purposes.

KOMPROMENT
DANISH BUILDING DESIGN



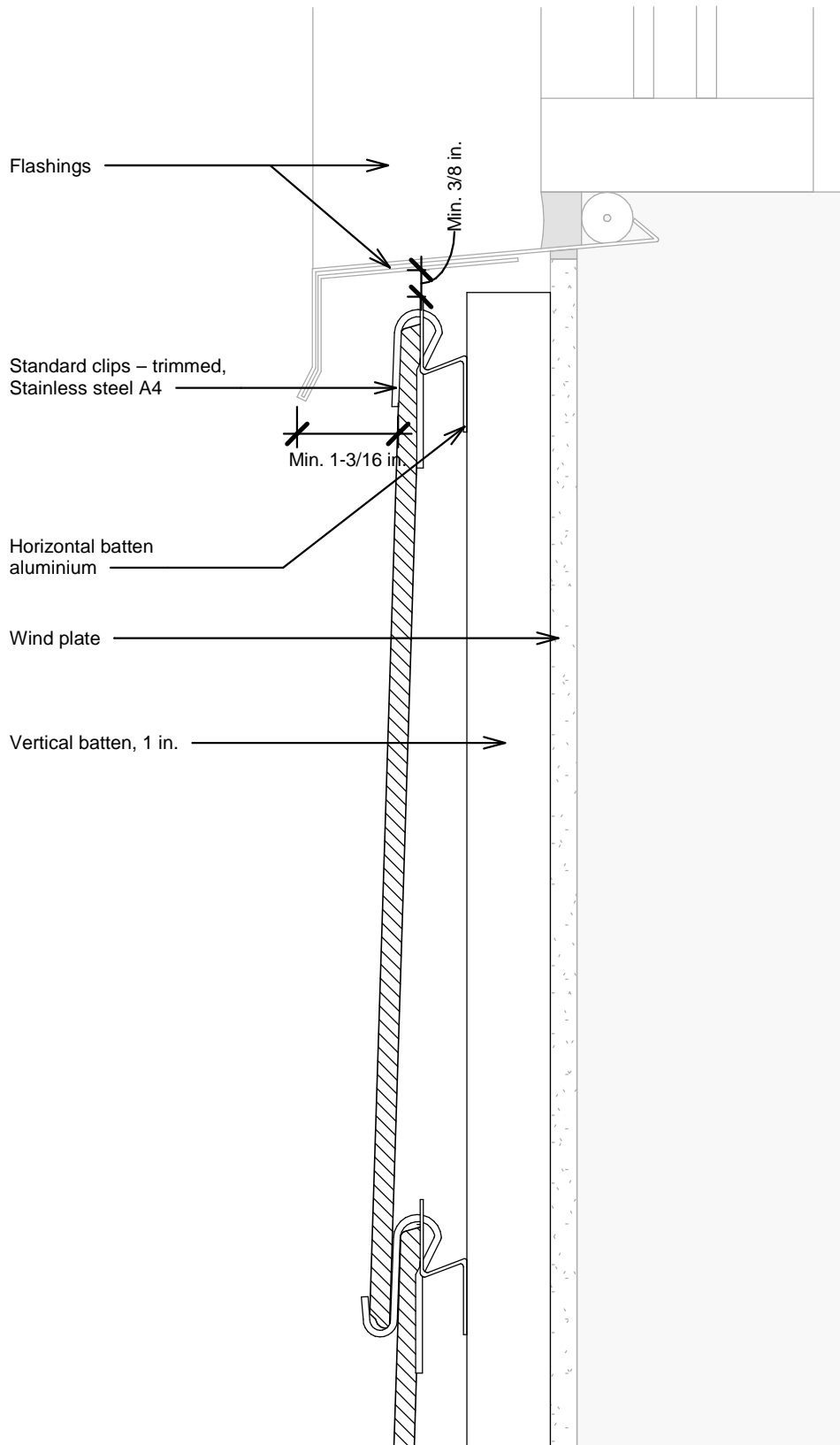
The drawing is not to scale.

Copyright © Komproment Danish Building Design

Z-2	Plan view		
Date: 10-11-2019	1 : 5	ZAPPA	Tlf: +45 96520710 Fax: +45 96520111 E-Mail: Teknik@komproment.dk Web: www.komproment.com

NOTE: Komproment Danish Building Design make drawings available in the version they are. All use of the drawings is at your own risk and responsibility. The drawings are continually updated with relevant updates/changes on our website. You are responsible for keeping up-to-date with the changes. The drawings are made available in the following FORMATS: PDF and DWG. All drawings are indicative. There is no guarantee that the drawings are suitable for all purposes.

KOMPROMENT
DANISH BUILDING DESIGN



The drawing is not to scale.

Copyright © Komproment Danish Building Design

Z-3

Section detail - Under window

Date: 10-11-2019

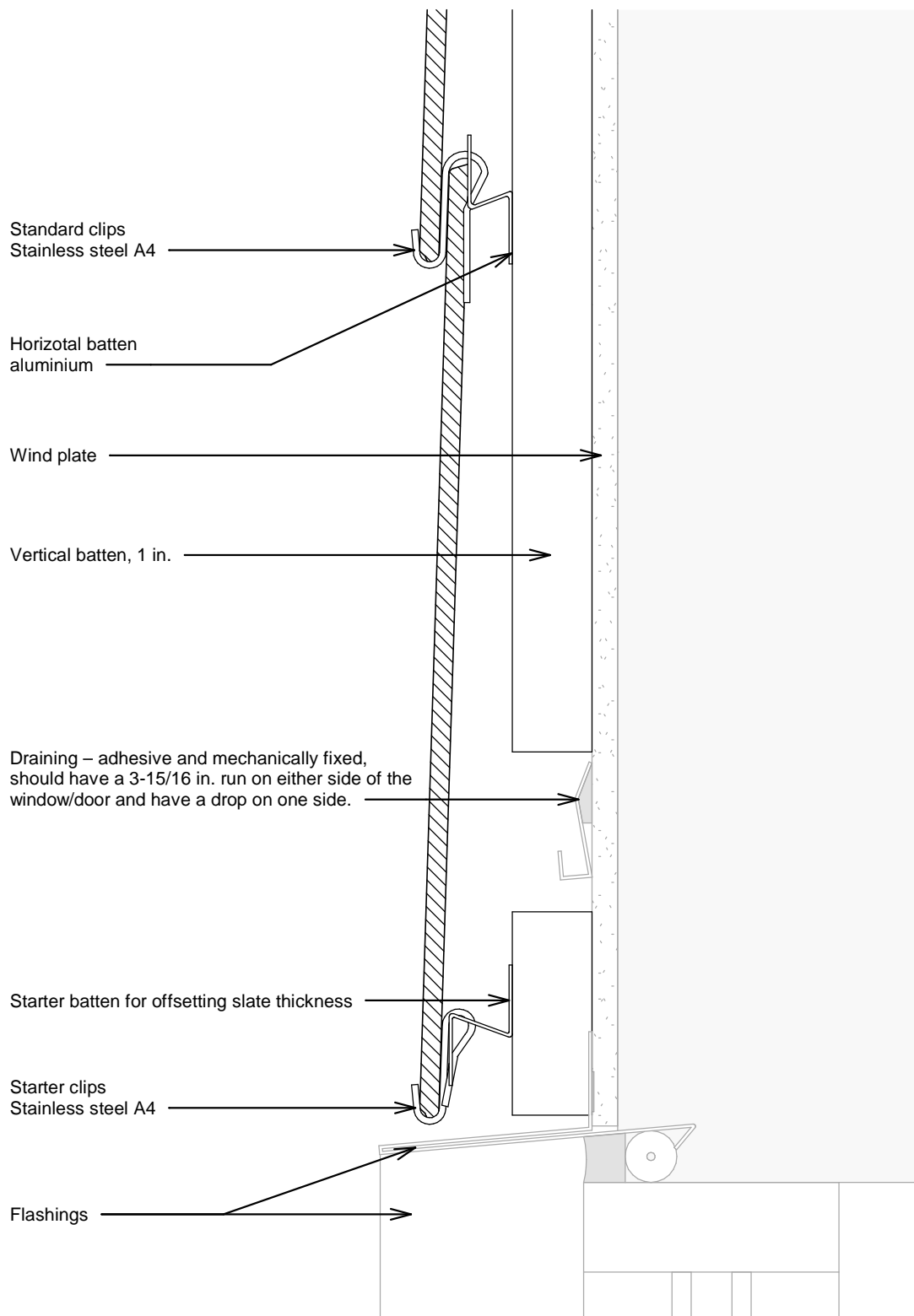
6" = 1'-0"

ZAPPA

Tlf: +45 96520710 Fax: +45 96520111
E-Mail: Teknik@komproment.dk
Web: www.komproment.com

NOTE: Komproment Danish Building Design make drawings available in the version they are. All use of the drawings is at your own risk and responsibility. The drawings are continually updated with relevant updates/changes on our website. You are responsible for keeping up-to-date with the changes. The drawings are made available in the following FORMATS: PDF and DWG. All drawings are indicative. There is no guarantee that the drawings are suitable for all purposes.

KOMPROMENT
DANISH BUILDING DESIGN



The drawing is not to scale.

Copyright © Komproment Danish Building Design

Z-4 Section detail - Top of window/door

Date: 10-11-2019

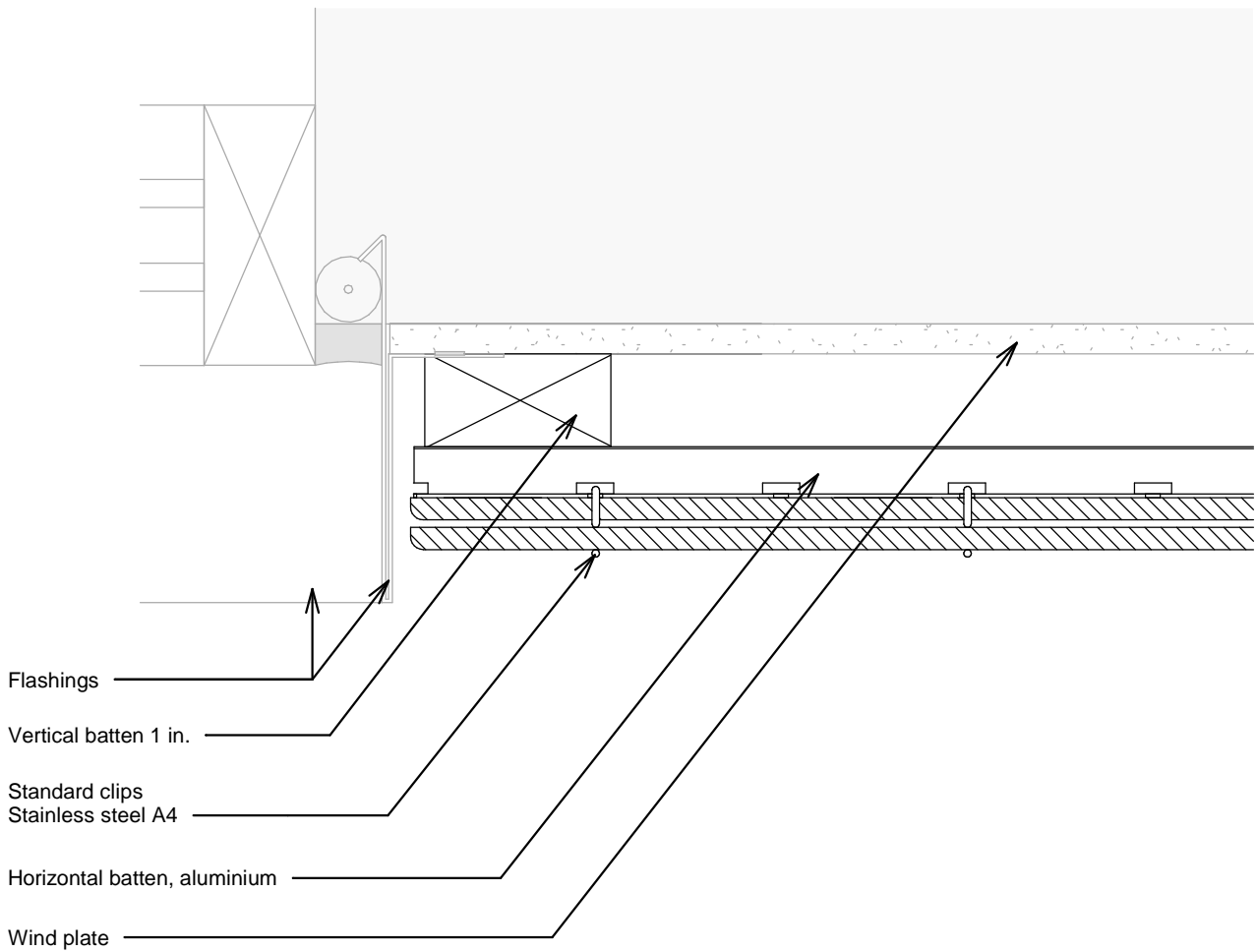
6" = 1'-0"

ZAPPA

Tlf: +45 96520710 Fax: +45 96520111
E-Mail: Teknik@komproment.dk
Web: www.komproment.com

NOTE: Komproment Danish Building Design make drawings available in the version they are. All use of the drawings is at your own risk and responsibility. The drawings are continually updated with relevant updates/changes on our website. You are responsible for keeping up-to-date with the changes. The drawings are made available in the following FORMATS: PDF and DWG. All drawings are indicative. There is no guarantee that the drawings are suitable for all purposes.

KOMPROMENT
DANISH BUILDING DESIGN



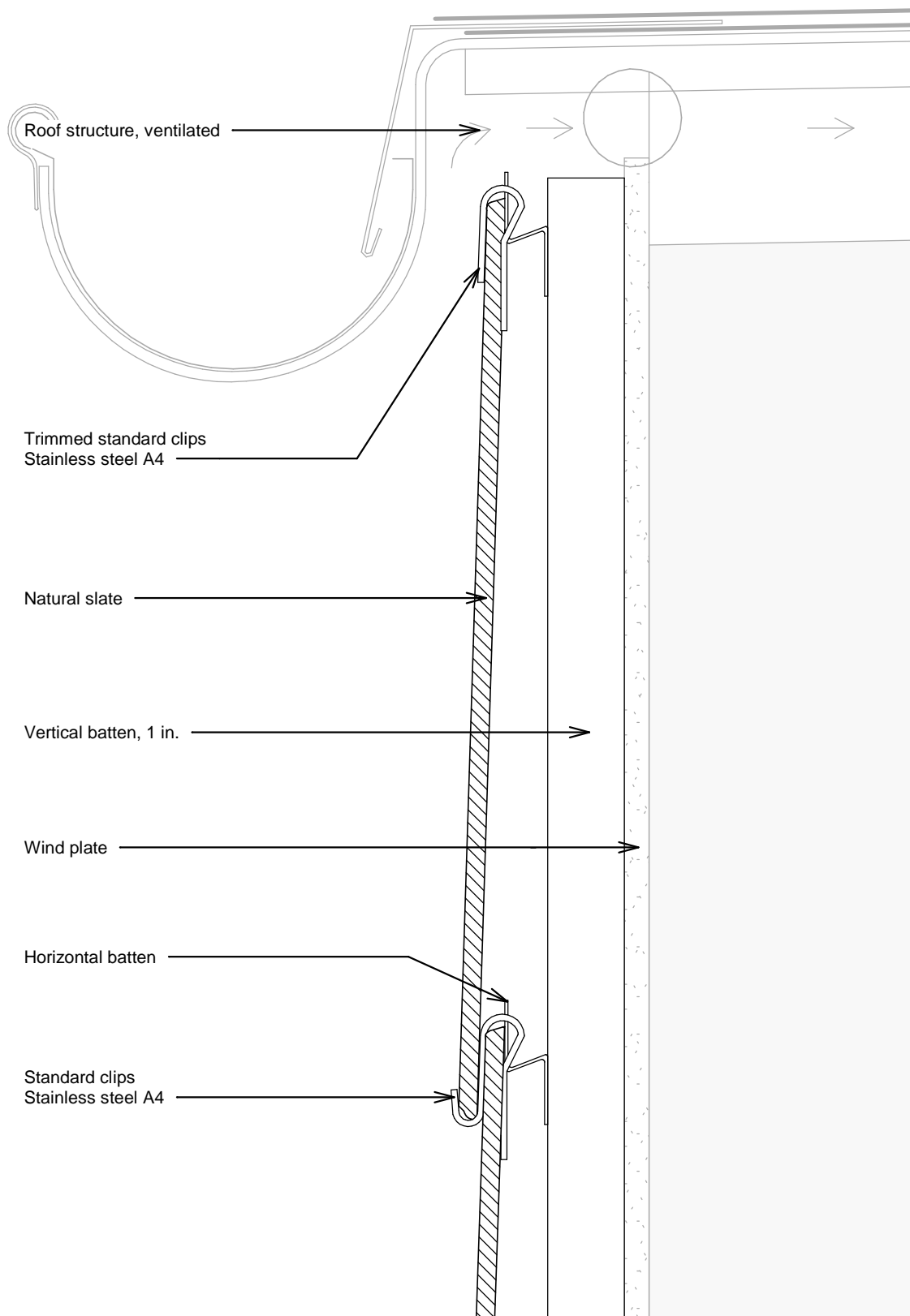
The drawing is not to scale.

Copyright © Komproment Danish Building Design

Z-5	Plan view - Window/door		
Date: 10-11-2019	6" = 1'-0"	ZAPPA	Tlf: +45 96520710 Fax: +45 96520111 E-Mail: Teknik@komproment.dk Web: www.komproment.com

NOTE: Komproment Danish Building Design make drawings available in the version they are. All use of the drawings is at your own risk and responsibility. The drawings are continually updated with relevant updates/changes on our website. You are responsible for keeping up-to-date with the changes. The drawings are made available in the following FORMATS: PDF and DWG. All drawings are indicative. There is no guarantee that the drawings are suitable for all purposes.

KOMPROMENT
DANISH BUILDING DESIGN



The drawing is not to scale.

Copyright © Komproment Danish Building Design

Z-6

Section detail - Eave

Date: 10-11-2019

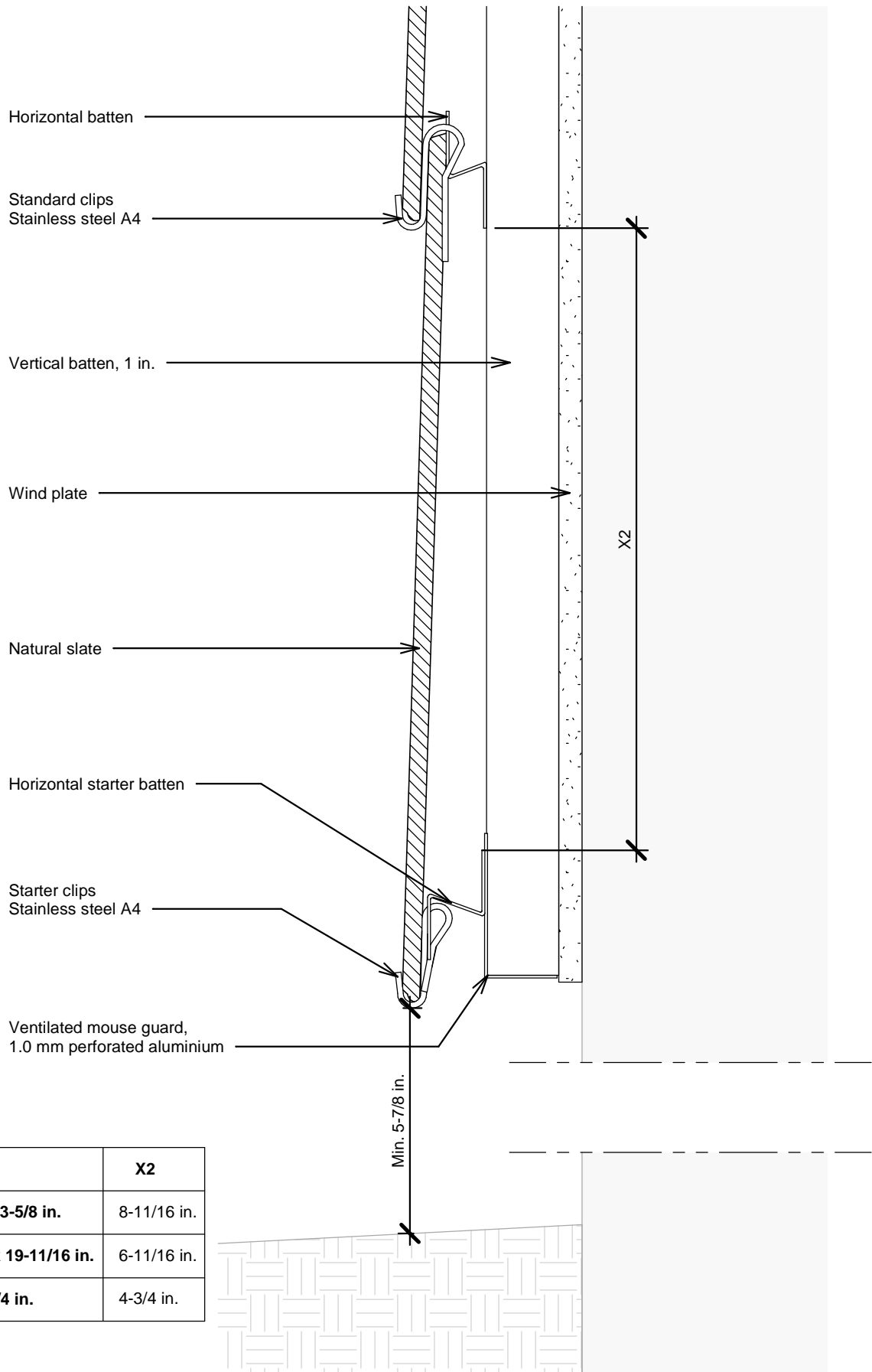
6" = 1'-0"

ZAPPA

Tlf: +45 96520710 Fax: +45 96520111
E-Mail: Teknik@komproment.dk
Web: www.komproment.com

NOTE: Komproment Danish Building Design make drawings available in the version they are. All use of the drawings is at your own risk and responsibility. The drawings are continually updated with relevant updates/changes on our website. You are responsible for keeping up-to-date with the changes. The drawings are made available in the following FORMATS: PDF and DWG. All drawings are indicative. There is no guarantee that the drawings are suitable for all purposes.

KOMPROMENT
DANISH BUILDING DESIGN



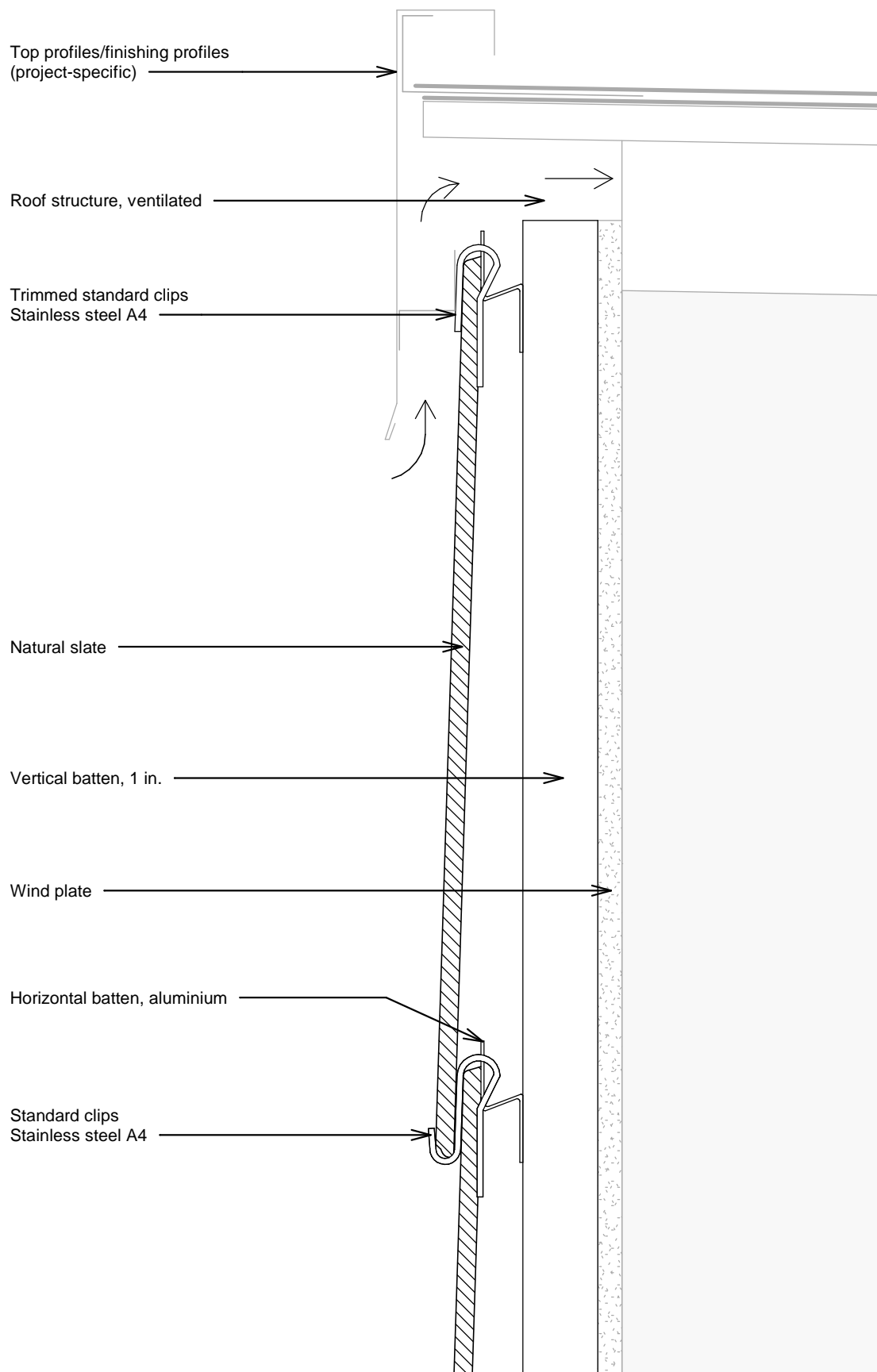
The drawing is not to scale.

Copyright © Komproment Danish Building Design

Z-7	Section detail - Start facade	
Date: 10-11-2019	6" = 1'-0"	ZAPPA Tlf: +45 96520710 Fax: +45 96520111 E-Mail: Teknik@komproment.dk Web: www.komproment.com

NOTE: Komproment Danish Building Design make drawings available in the version they are. All use of the drawings is at your own risk and responsibility. The drawings are continually updated with relevant updates/changes on our website. You are responsible for keeping up-to-date with the changes. The drawings are made available in the following FORMATS: PDF and DWG. All drawings are indicative. There is no guarantee that the drawings are suitable for all purposes.

KOMPROMENT
DANISH BUILDING DESIGN



The drawing is not to scale.

Copyright © Komproment Danish Building Design

Z-8 Section detail - Gable - ventilated

Date: 10-11-2019

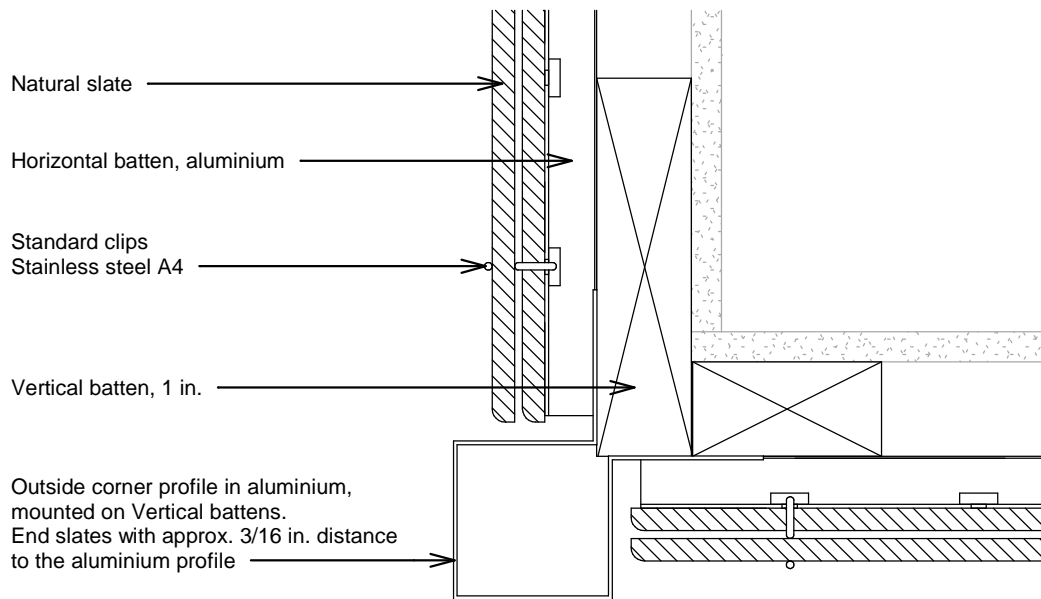
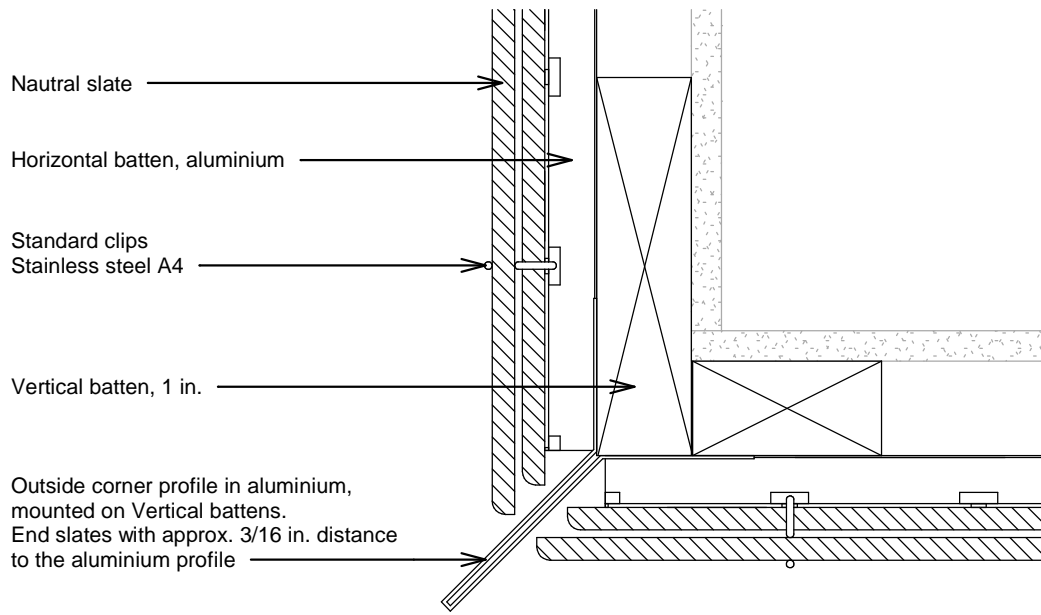
6" = 1'-0"

ZAPPA

Tlf: +45 96520710 Fax: +45 96520111
E-Mail: Teknik@komproment.dk
Web: www.komproment.com

NOTE: Komproment Danish Building Design make drawings available in the version they are. All use of the drawings is at your own risk and responsibility. The drawings are continually updated with relevant updates/changes on our website. You are responsible for keeping up-to-date with the changes. The drawings are made available in the following FORMATS: PDF and DWG. All drawings are indicative. There is no guarantee that the drawings are suitable for all purposes.

KOMPROMENT
DANISH BUILDING DESIGN



The drawing is not to scale.

Copyright © Komproment Danish Building Design

Z-9

Plan view - Outside corner

Date: 10-11-2019

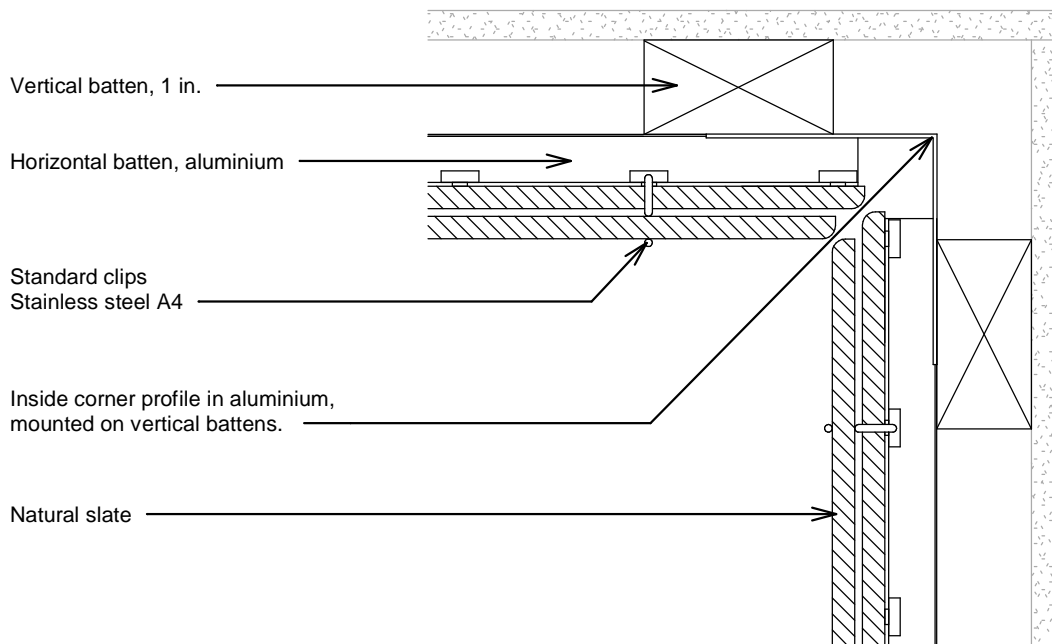
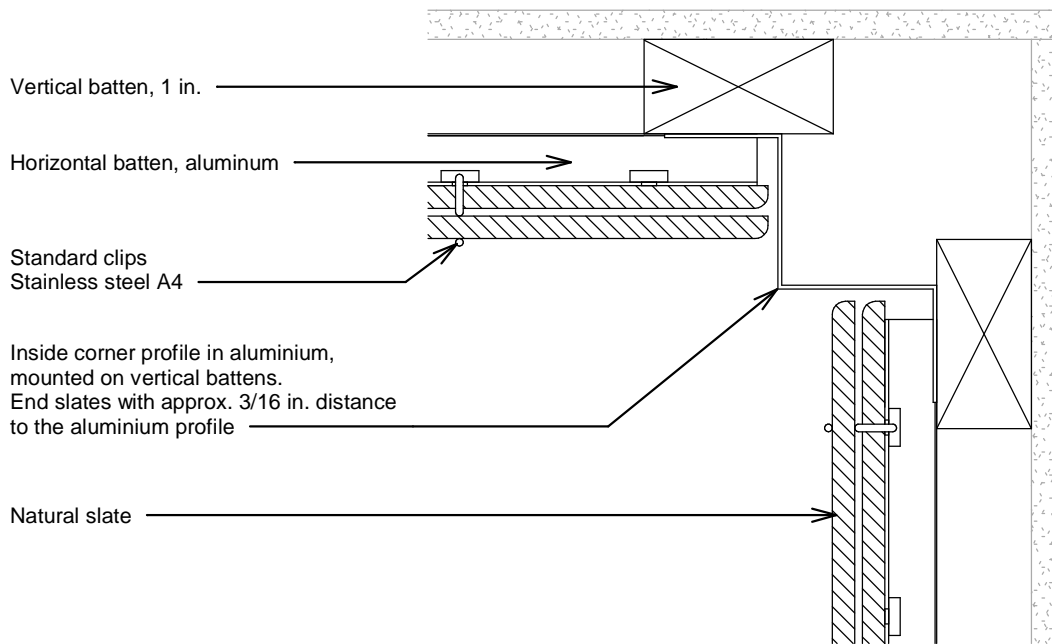
6" = 1'-0"

ZAPPA

Tlf: +45 96520710 Fax: +45 96520111
E-Mail: Teknik@komproment.dk
Web: www.komproment.com

NOTE: Komproment Danish Building Design make drawings available in the version they are. All use of the drawings is at your own risk and responsibility. The drawings are continually updated with relevant updates/changes on our website. You are responsible for keeping up-to-date with the changes. The drawings are made available in the following FORMATS: PDF and DWG. All drawings are indicative. There is no guarantee that the drawings are suitable for all purposes.

KOMPROMENT
DANISH BUILDING DESIGN



The drawing is not to scale.

Copyright © Komproment Danish Building Design

Z-10	Plan view - Inside corner		
Date: 10-11-2019	6" = 1'-0"	ZAPPA	Tlf: +45 96520710 Fax: +45 96520111 E-Mail: Teknik@komproment.dk Web: www.komproment.com

NOTE: Komproment Danish Building Design make drawings available in the version they are. All use of the drawings is at your own risk and responsibility. The drawings are continually updated with relevant updates/changes on our website. You are responsible for keeping up-to-date with the changes. The drawings are made available in the following FORMATS: PDF and DWG. All drawings are indicative. There is no guarantee that the drawings are suitable for all purposes.

KOMPROMENT
DANISH BUILDING DESIGN

General information

Zappa is a natural slate façade system for covering existing as well as new buildings.

The façade system can be mounted directly onto the existing façade, on wooden frames or using aluminium battens.

The Zappa façade system is Cradle to Cradle certified at silver level. NOTE! The certification only applies for system deliveries of Barcelona Plain and Barcelona Silver White slate.

The drawings and instructions are prepared for façades mounted in Denmark, Norway and Sweden, on the basis of installation on a wooden substructure.

Attachment between the substructure and the load-bearing building sections is not part of these instructions and must fulfil the applicable standards and regulations at all times, as well as being documented in the specific projects.

Flatness tolerances for the back wall

Always check the substructure before mounting battens. Straightness requirement for the underlying structure, vertical and horizontal, tolerance: +/- 1/8 in., measured with straight-edge over 78-3/4 in.

Flashings

All flashings around windows, doors, gables, eaves, etc., in Komproment's drawings and instructions are examples only. All flashings must be reviewed, designed and planned out for the individual project.

Flashing is therefore not kept in stock by Komproment and has a delivery time of 2-3 weeks.

Technical support

If you need advice and/or technical support you can always count on our assistance when you need it.

Komproment can help with:

- Discussions about detail solutions
- Input for the documentation/descriptions for projects
- Other problems/issues.

For technical support, contact us on tel.: +45 96520710 or by email to teknik@komproment.dk

Opening times: Monday-Thursday from 8.00-16.00, Friday from 8.00-15.30.

General

Komproment cannot be held responsible for project design or for project details, which are the responsibility of the architect and/or consulting engineer supervising the project at all times.

Komproment's drawings and instructions must be considered as guidelines for the purpose of sharing Komproment's experience. Komproment is therefore solely responsible for the delivered building materials and the quality of these.

Warnings

Follow all instructions and warnings in the latest version of this detail folder and the Installation Guide (available online at www.komproment.dk/en) in order to prevent accidents or injury.

Death or serious injury may result if you do not observe the following safety precautions:

- **Mount all slates onto the horizontal batten using the clips provided by KOMPROMENT. Failure to use the clips as instructed may result in slates falling from the façade.**
- **Ensure that all clips have been properly installed when mounting the slates onto the horizontal batten. Failure to properly install the clips may result in slates falling from the façade.**

NOTE: This Detail folder will be updated regularly and the latest version is available on our website at www.komproment.com. You are responsible to review the most up to date version prior to commencing installation. Drawings are available on our website in the following formats: PDF and DWG. All drawings are for reference purposes only. The installer is responsible for ensuring compliance with all local and federal laws, rules, and regulations. KOMPROMENT is not responsible or liable for any misprints in this Installation Guide or its website.

The drawing is not to scale.

Copyright © Komproment Danish Building Design

Z-11

General information

Date: 10-11-2019

ZAPPA

Tlf: +45 96520710 Fax: +45 96520111
E-Mail: Teknik@komproment.dk
Web: www.komproment.com

NOTE: Komproment Danish Building Design make drawings available in the version they are. All use of the drawings is at your own risk and responsibility. The drawings are continually updated with relevant updates/changes on our website. You are responsible for keeping up-to-date with the changes. The drawings are made available in the following FORMATS: PDF and DWG. All drawings are indicative. There is no guarantee that the drawings are suitable for all purposes.

KOMPROMENT
DANISH BUILDING DESIGN