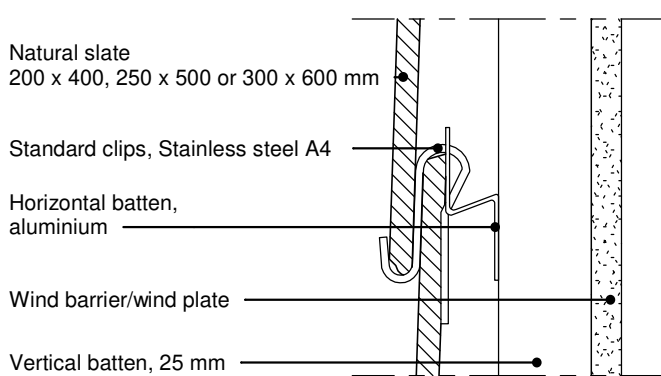


Z-0 - Elevation

1 : 20

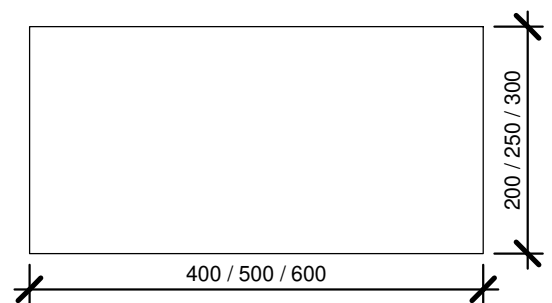
For the bottom, use the starter batten and starter clips

	300 x 600 mm	250 x 500 mm	200 x 400 mm
X1	270 mm	220 mm	170 mm
X2	215 mm	165 mm	115 mm



Z-0 - Cut

1 : 2



Z-0 - Natural slate

1 : 10

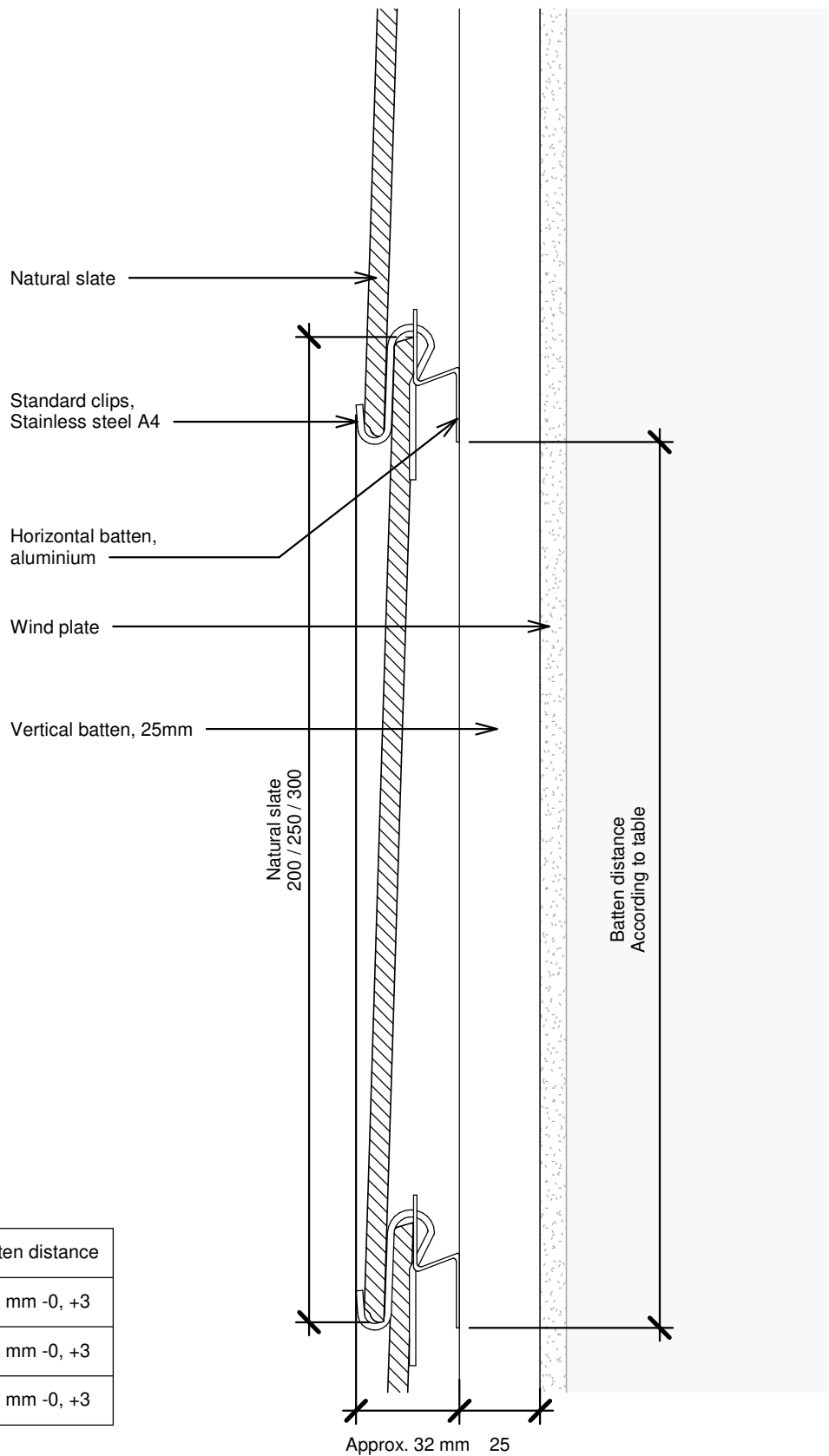
The drawing is not to scale. All dimensions are in mm.

Copyright © Komproment Danish Building Design

Z-0	Komproment Zappa system		
Date: 10-11-2019	As indicated	ZAPPA	Tlf: +45 96520710 Fax: +45 96520111 E-Mail: Teknik@komproment.dk Web: www.komproment.com

NOTE: Komproment Danish Building Design make drawings available in the version they are. All use of the drawings is at your own risk and responsibility. The drawings are continually updated with relevant updates/changes on our website. You are responsible for keeping up-to-date with the changes. The drawings are made available in the following FORMATS: PDF and DWG. All drawings are indicative. There is no guarantee that the drawings are suitable for all purposes.

KOMPROMENT
DANISH BUILDING DESIGN



Slate size	Batten distance
300 x 600 mm	270 mm -0, +3
250 x 500 mm	220 mm -0, +3
200 x 400 mm	170 mm -0, +3

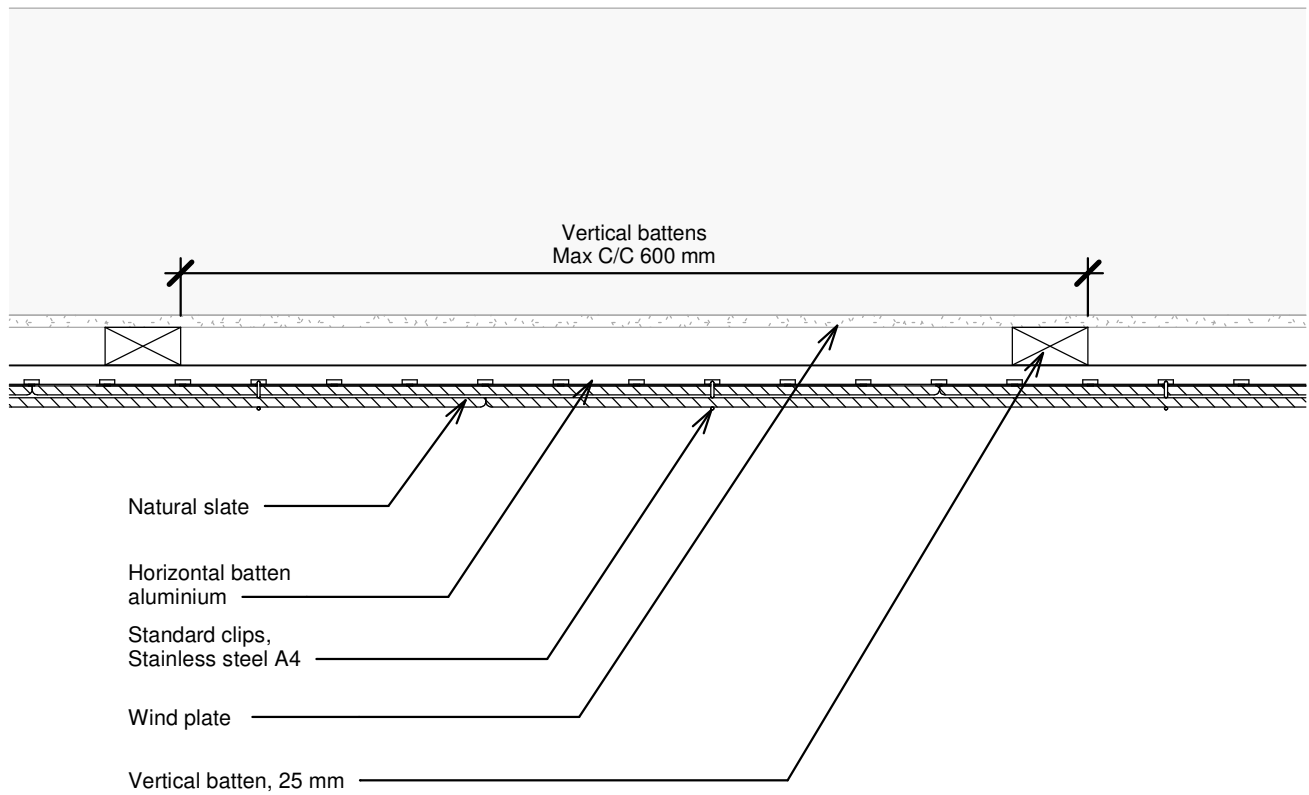
The drawing is not to scale. All dimensions are in mm.

Copyright © Komproment Danish Building Design

Z-1	Vertical cut		
Date: 10-11-2019	1 : 2	ZAPPA	Tlf: +45 96520710 Fax: +45 96520111 E-Mail: Teknik@komproment.dk Web: www.komproment.com

NOTE: Komproment Danish Building Design make drawings available in the version they are. All use of the drawings is at your own risk and responsibility. The drawings are continually updated with relevant updates/changes on our website. You are responsible for keeping up-to-date with the changes. The drawings are made available in the following FORMATS: PDF and DWG. All drawings are indicative. There is no guarantee that the drawings are suitable for all purposes.

KOMPROMENT
DANISH BUILDING DESIGN



The drawing is not to scale. All dimensions are in mm.

Copyright © Komproment Danish Building Design

Z-2

Horizontal cut

Date: 10-11-2019

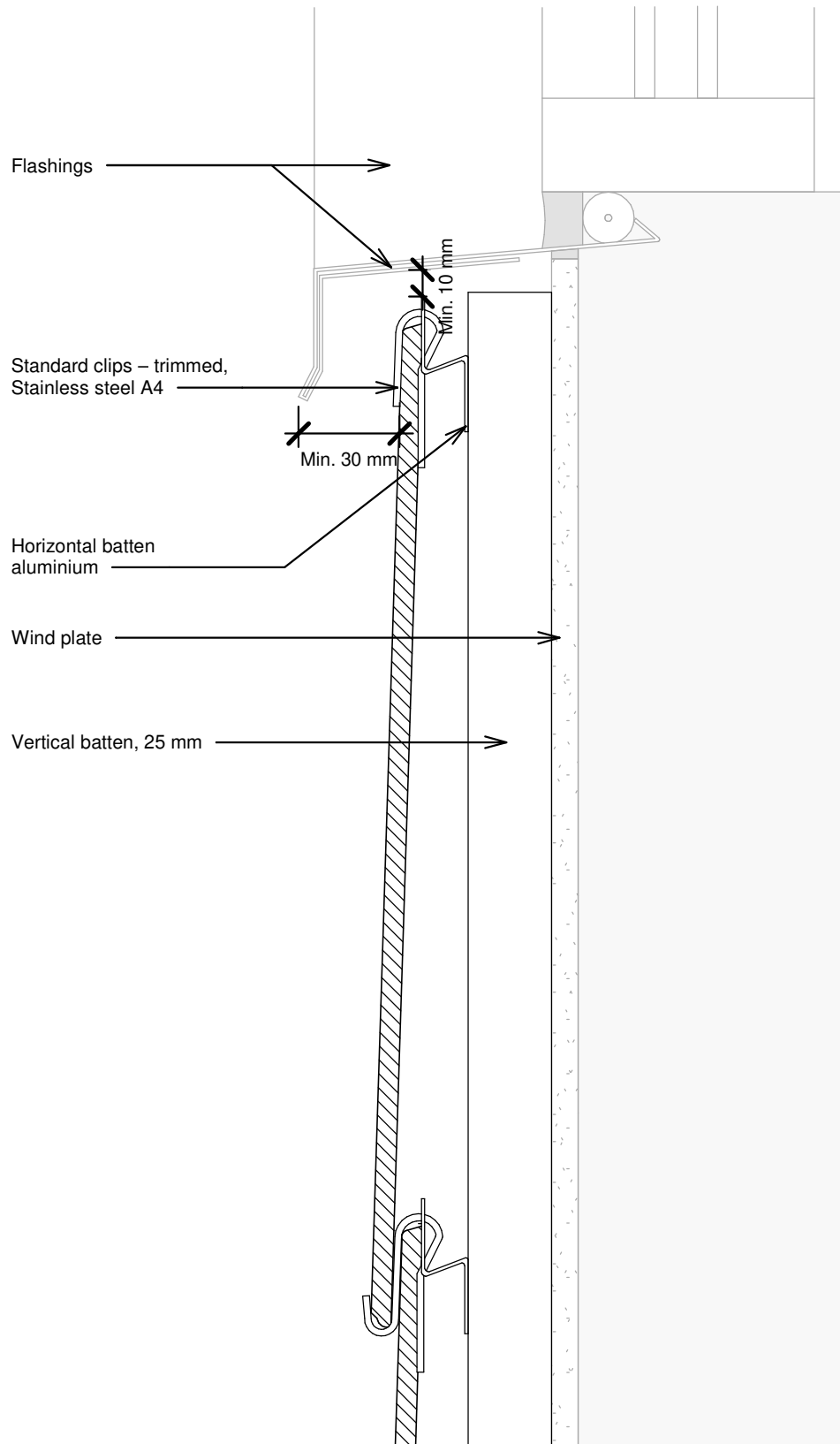
1 : 5

ZAPPA

Tlf: +45 96520710 Fax: +45 96520111
E-Mail: Teknik@komproment.dk
Web: www.komproment.com

NOTE: Komproment Danish Building Design make drawings available in the version they are. All use of the drawings is at your own risk and responsibility. The drawings are continually updated with relevant updates/changes on our website. You are responsible for keeping up-to-date with the changes. The drawings are made available in the following FORMATS: PDF and DWG. All drawings are indicative. There is no guarantee that the drawings are suitable for all purposes.

KOMPROMENT
DANISH BUILDING DESIGN



The drawing is not to scale. All dimensions are in mm.

Copyright © Komproment Danish Building Design

Z-3

Under window

Date: 10-11-2019

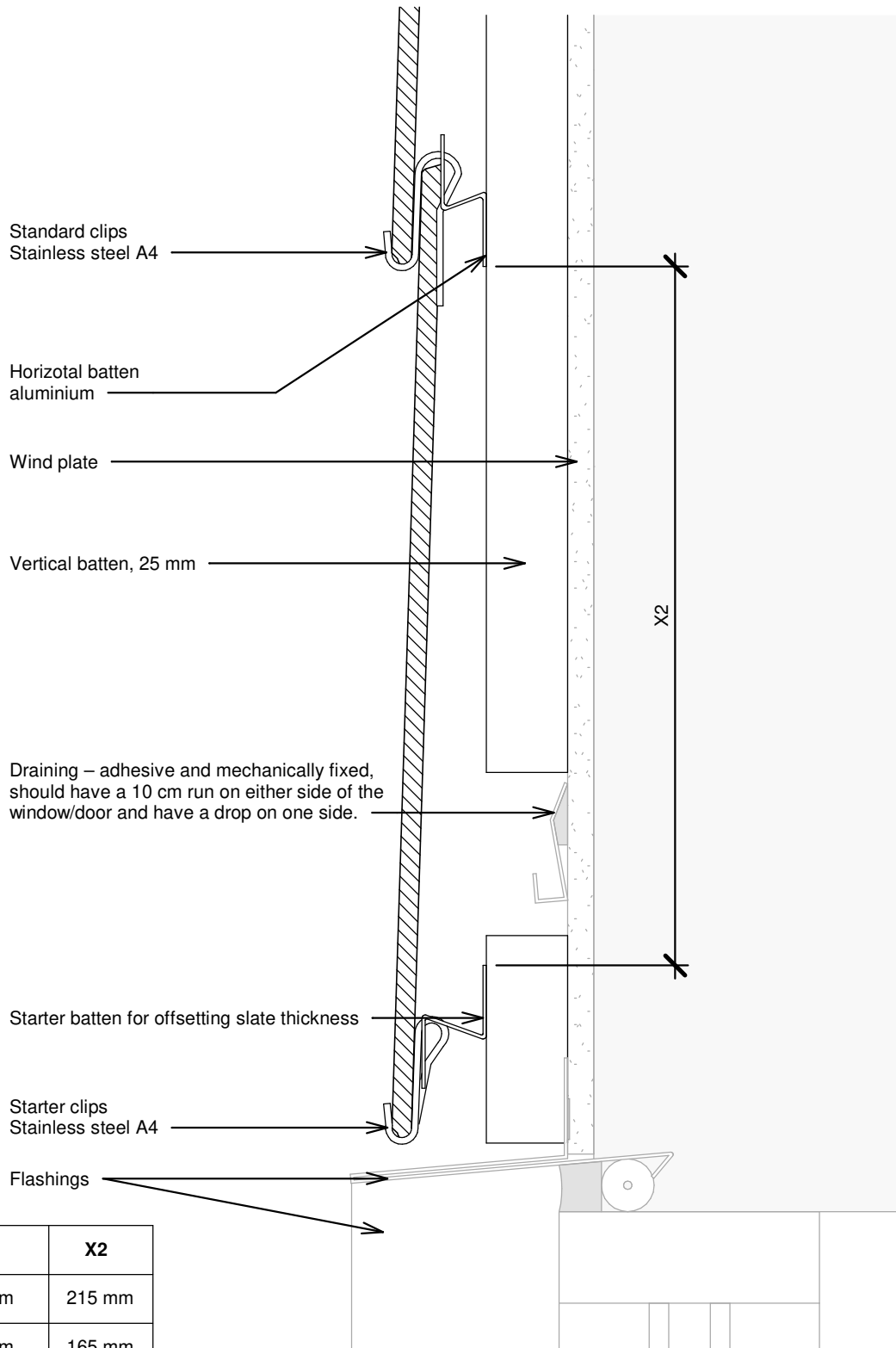
1 : 2

ZAPPA

Tlf: +45 96520710 Fax: +45 96520111
E-Mail: Teknik@komproment.dk
Web: www.komproment.com

NOTE: Komproment Danish Building Design make drawings available in the version they are. All use of the drawings is at your own risk and responsibility. The drawings are continually updated with relevant updates/changes on our website. You are responsible for keeping up-to-date with the changes. The drawings are made available in the following FORMATS: PDF and DWG. All drawings are indicative. There is no guarantee that the drawings are suitable for all purposes.

KOMPROMENT
DANISH BUILDING DESIGN



Slate size	X2
300 x 600 mm	215 mm
250 x 500 mm	165 mm
200 x 400 mm	115 mm

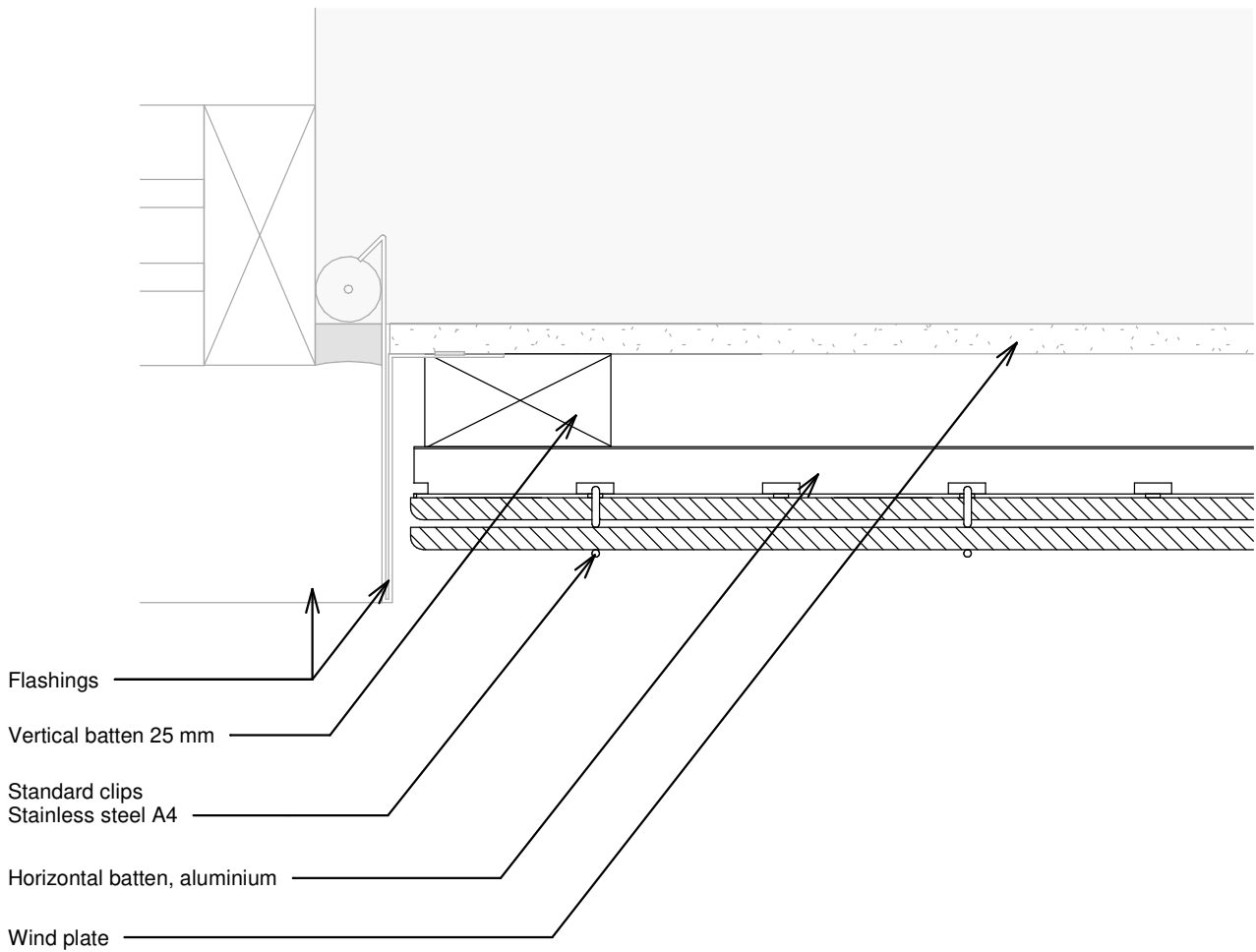
The drawing is not to scale. All dimensions are in mm.

Copyright © Komproment Danish Building Design

Z-4	Top of window/door		
Date: 10-11-2019	1 : 2	ZAPPA	Tlf: +45 96520710 Fax: +45 96520111 E-Mail: Teknik@komproment.dk Web: www.komproment.com

NOTE: Komproment Danish Building Design make drawings available in the version they are. All use of the drawings is at your own risk and responsibility. The drawings are continually updated with relevant updates/changes on our website. You are responsible for keeping up-to-date with the changes. The drawings are made available in the following FORMATS: PDF and DWG. All drawings are indicative. There is no guarantee that the drawings are suitable for all purposes.

KOMPROMENT
DANISH BUILDING DESIGN



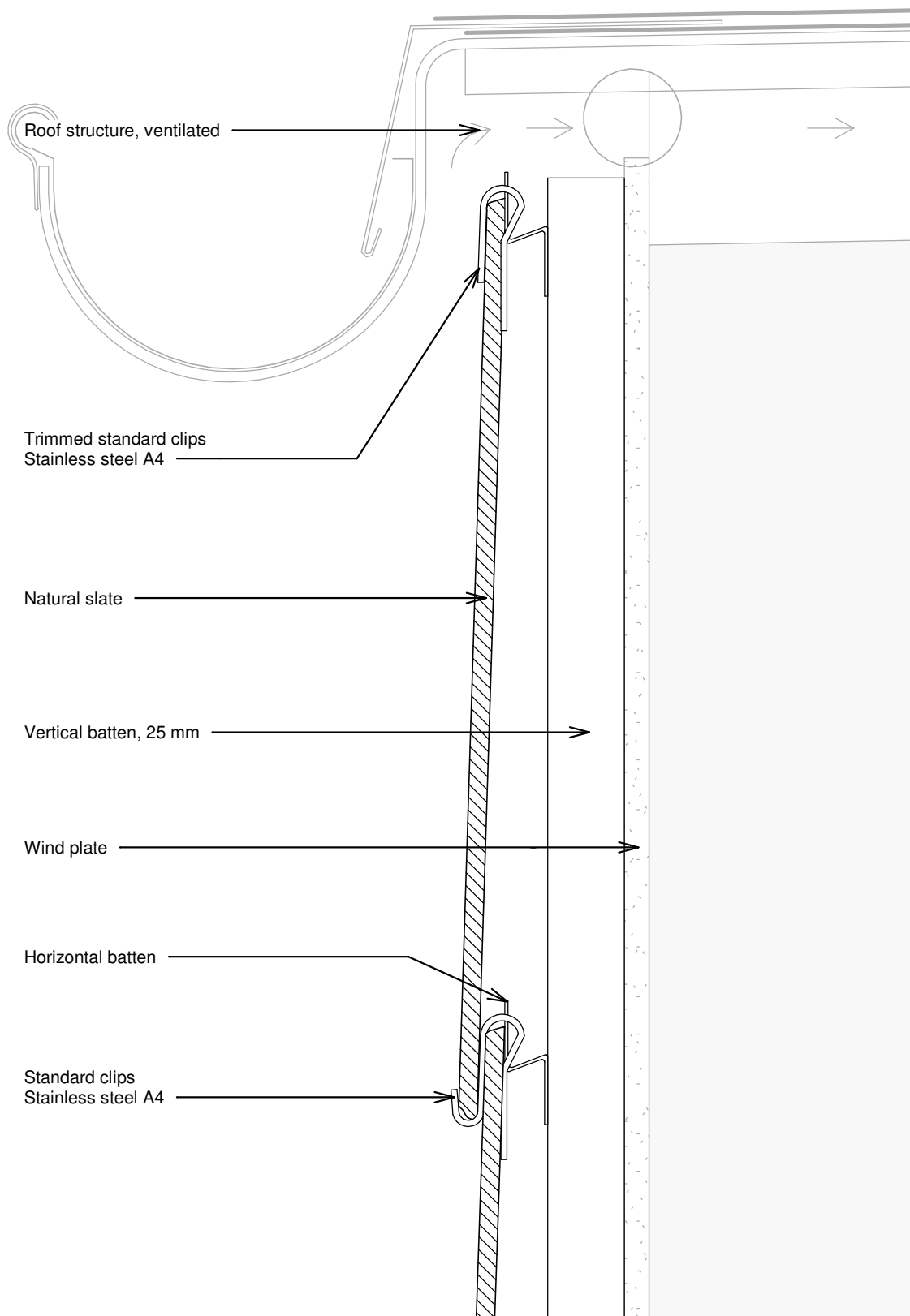
The drawing is not to scale. All dimensions are in mm.

Copyright © Komproment Danish Building Design

Z-5	Window/door horizontal cut		
Date: 10-11-2019	1 : 2	ZAPPA	Tlf: +45 96520710 Fax: +45 96520111 E-Mail: Teknik@komproment.dk Web: www.komproment.com

NOTE: Komproment Danish Building Design make drawings available in the version they are. All use of the drawings is at your own risk and responsibility. The drawings are continually updated with relevant updates/changes on our website. You are responsible for keeping up-to-date with the changes. The drawings are made available in the following FORMATS: PDF and DWG. All drawings are indicative. There is no guarantee that the drawings are suitable for all purposes.

KOMPROMENT
DANISH BUILDING DESIGN



The drawing is not to scale. All dimensions are in mm.

Copyright © Komproment Danish Building Design

Z-6

Eave

Date: 10-11-2019

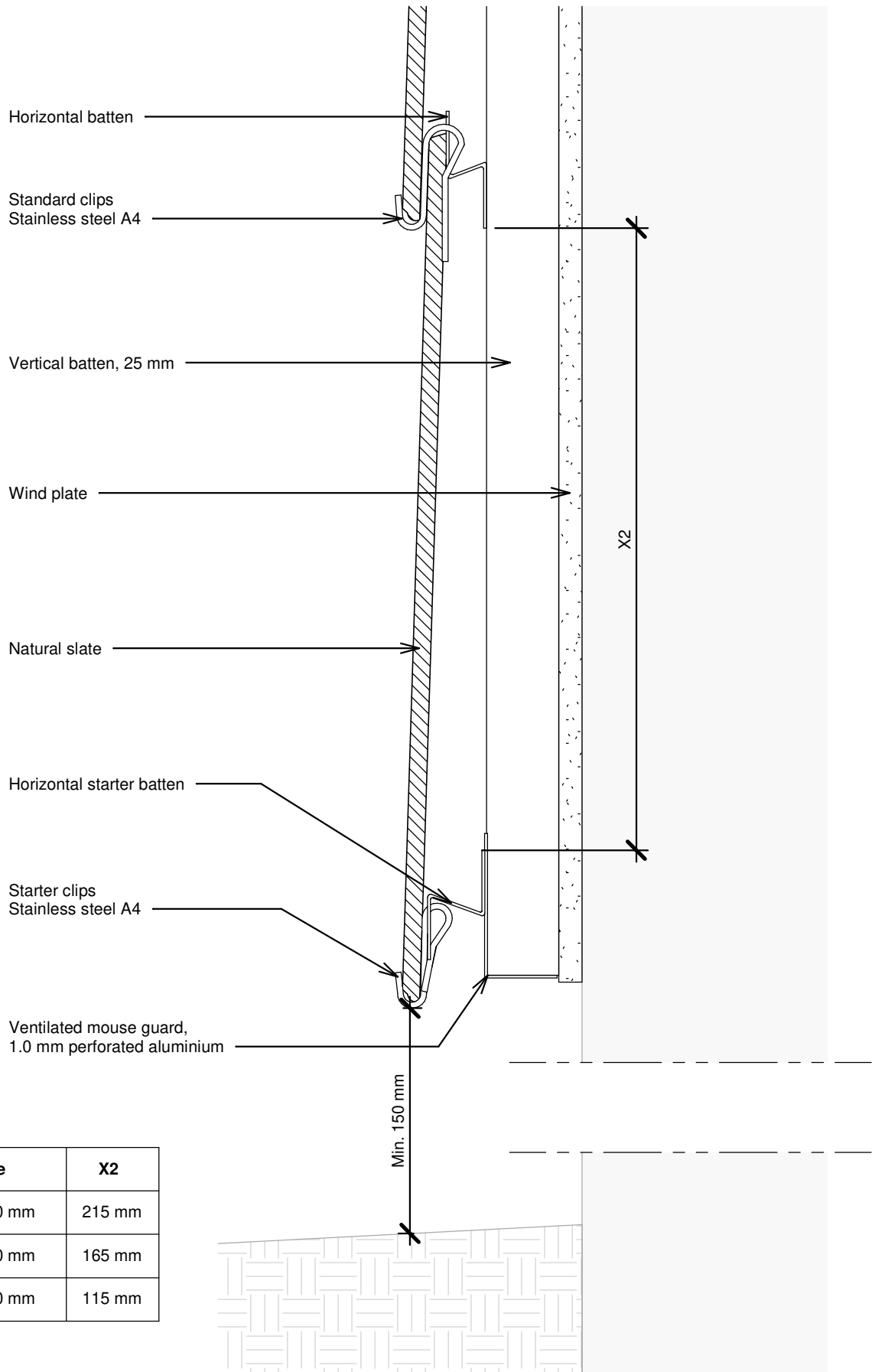
1 : 2

ZAPPA

Tlf: +45 96520710 Fax: +45 96520111
E-Mail: Teknik@komproment.dk
Web: www.komproment.com

NOTE: Komproment Danish Building Design make drawings available in the version they are. All use of the drawings is at your own risk and responsibility. The drawings are continually updated with relevant updates/changes on our website. You are responsible for keeping up-to-date with the changes. The drawings are made available in the following FORMATS: PDF and DWG. All drawings are indicative. There is no guarantee that the drawings are suitable for all purposes.

KOMPROMENT
DANISH BUILDING DESIGN



Slate size	X2
300 x 600 mm	215 mm
250 x 500 mm	165 mm
200 x 400 mm	115 mm

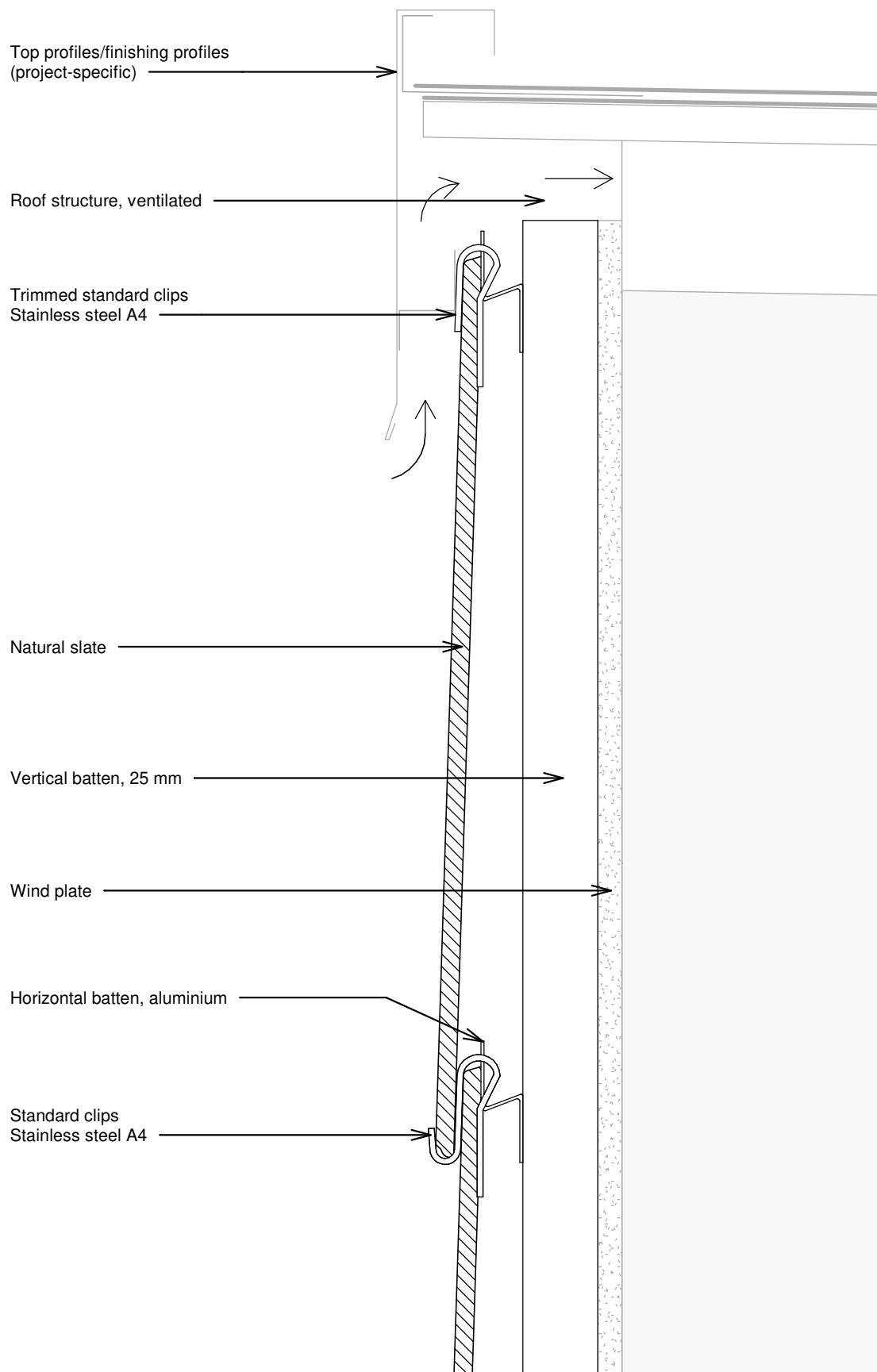
The drawing is not to scale. All dimensions are in mm.

Copyright © Komproment Danish Building Design

Z-7	Start facade		
Date: 10-11-2019	1 : 2	ZAPPA	Tlf: +45 96520710 Fax: +45 96520111 E-Mail: Teknik@komproment.dk Web: www.komproment.com

NOTE: Komproment Danish Building Design make drawings available in the version they are. All use of the drawings is at your own risk and responsibility. The drawings are continually updated with relevant updates/changes on our website. You are responsible for keeping up-to-date with the changes. The drawings are made available in the following FORMATS: PDF and DWG. All drawings are indicative. There is no guarantee that the drawings are suitable for all purposes.

KOMPROMENT
DANISH BUILDING DESIGN



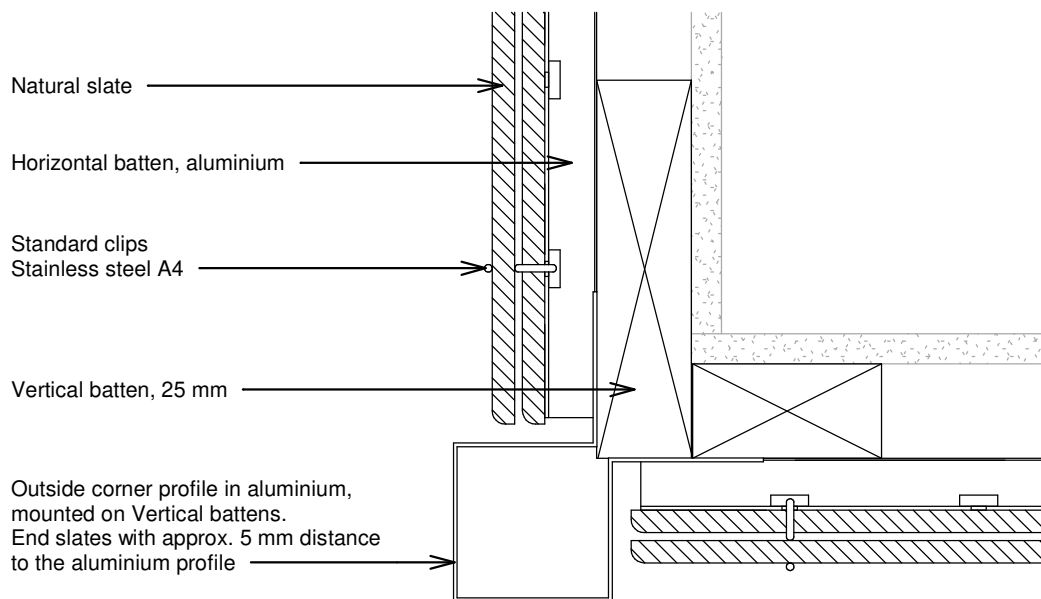
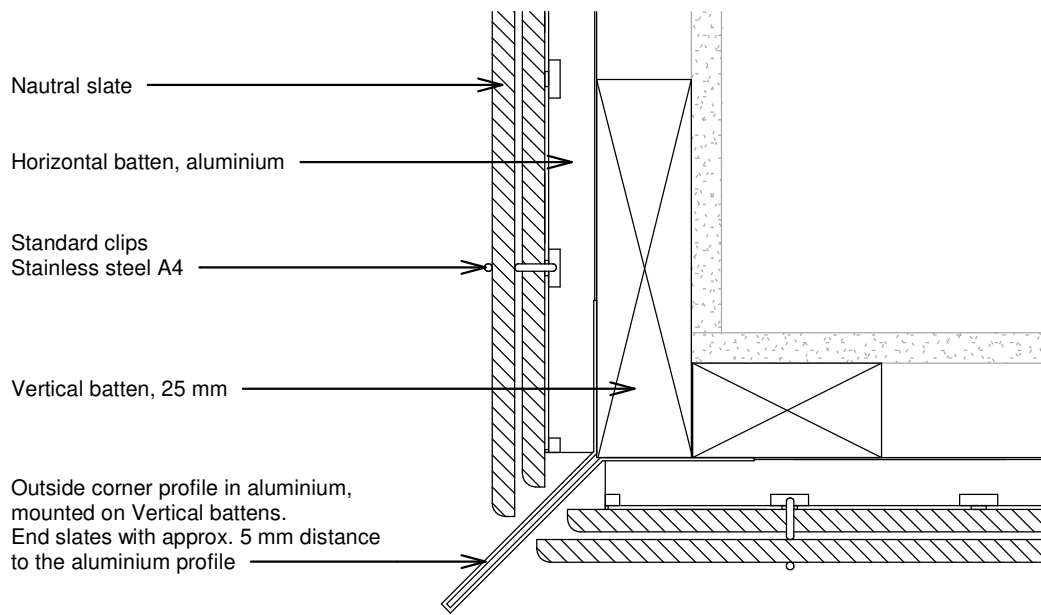
The drawing is not to scale. All dimensions are in mm.

Copyright © Komproment Danish Building Design

Z-8	Gable - ventilated		
Date: 10-11-2019	1 : 2	ZAPPA	Tlf: +45 96520710 Fax: +45 96520111 E-Mail: Teknik@komproment.dk Web: www.komproment.com

NOTE: Komproment Danish Building Design make drawings available in the version they are. All use of the drawings is at your own risk and responsibility. The drawings are continually updated with relevant updates/changes on our website. You are responsible for keeping up-to-date with the changes. The drawings are made available in the following FORMATS: PDF and DWG. All drawings are indicative. There is no guarantee that the drawings are suitable for all purposes.

KOMPROMENT
DANISH BUILDING DESIGN



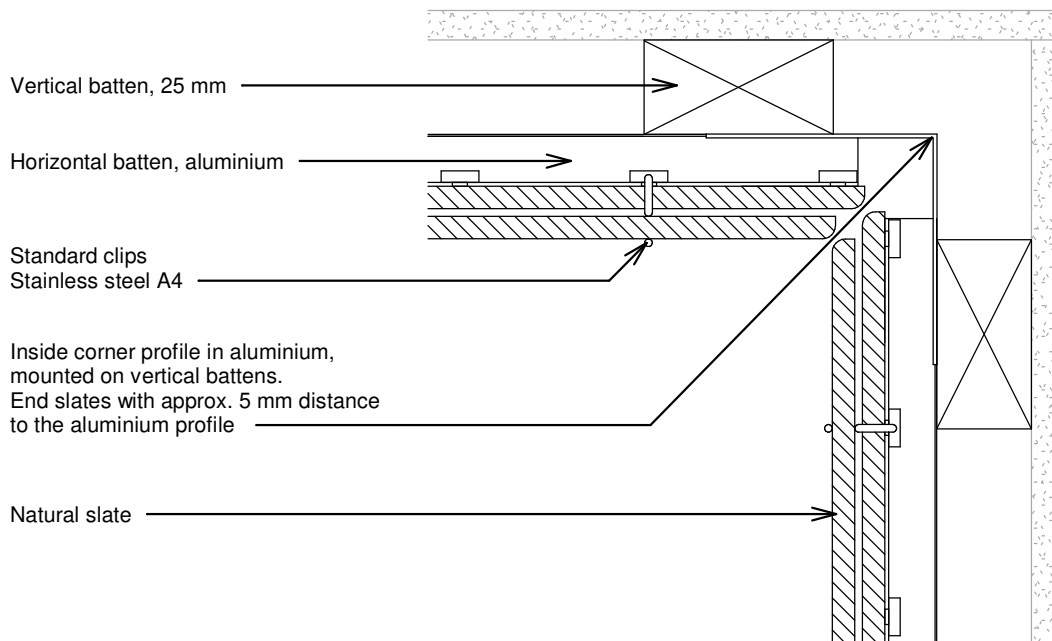
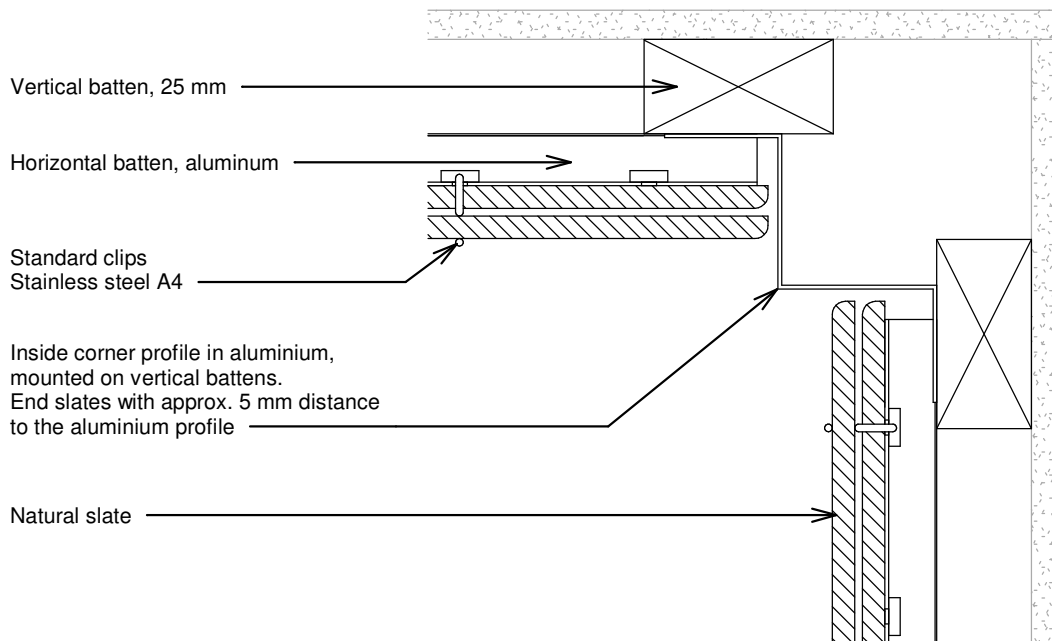
The drawing is not to scale. All dimensions are in mm.

Copyright © Komproment Danish Building Design

Z-9	Outside corner		
Date: 10-11-2019	1 : 2	ZAPPA	Tlf: +45 96520710 Fax: +45 96520111 E-Mail: Teknik@komproment.dk Web: www.komproment.com

NOTE: Komproment Danish Building Design make drawings available in the version they are. All use of the drawings is at your own risk and responsibility. The drawings are continually updated with relevant updates/changes on our website. You are responsible for keeping up-to-date with the changes. The drawings are made available in the following FORMATS: PDF and DWG. All drawings are indicative. There is no guarantee that the drawings are suitable for all purposes.

KOMPROMENT
DANISH BUILDING DESIGN



The drawing is not to scale. All dimensions are in mm.

Copyright © Komproment Danish Building Design

Z-10	Inside corner		
Date: 10-11-2019	1 : 2	ZAPPA	Tlf: +45 96520710 Fax: +45 96520111 E-Mail: Teknik@komproment.dk Web: www.komproment.com

NOTE: Komproment Danish Building Design make drawings available in the version they are. All use of the drawings is at your own risk and responsibility. The drawings are continually updated with relevant updates/changes on our website. You are responsible for keeping up-to-date with the changes. The drawings are made available in the following FORMATS: PDF and DWG. All drawings are indicative. There is no guarantee that the drawings are suitable for all purposes.

KOMPROMENT
DANISH BUILDING DESIGN

General information

Zappa is a natural slate façade system for covering existing as well as new buildings.

The façade system can be mounted directly onto the existing façade, on wooden frames or using aluminium battens.

The Zappa façade system is Cradle to Cradle certified at silver level. NOTE! The certification only applies for system deliveries of Barcelona Plain and Barcelona Silver White slate.

The drawings and instructions are prepared for façades mounted in Denmark, Norway and Sweden, on the basis of installation on a wooden substructure.

Attachment between the substructure and the load-bearing building sections is not part of these instructions and must fulfil the applicable standards and regulations at all times, as well as being documented in the specific projects.

Flatness tolerances for the back wall

Always check the substructure before mounting battens. Straightness requirement for the underlying structure, vertical and horizontal, tolerance: +/- 3 mm, measured with straight-edge over 2 m.

Flashings

All flashings around windows, doors, gables, eaves, etc., in Komproment's drawings and instructions are examples only. All flashings must be reviewed, designed and planned out for the individual project.

Flashing is therefore not kept in stock by Komproment and has a delivery time of 2-3 weeks.

Technical support

If you need advice and/or technical support you can always count on our assistance when you need it.

Komproment can help with:

- Discussions about detail solutions
- Input for the documentation/descriptions for projects
- Other problems/issues.

For technical support, contact us on tel.: +45 96520710 or by email to teknik@komproment.dk

Opening times: Monday-Thursday from 8.00-16.00, Friday from 8.00-15.30.

General

Komproment cannot be held responsible for project design or for project details, which are the responsibility of the architect and/or consulting engineer supervising the project at all times.

Komproment's drawings and instructions must be considered as guidelines for the purpose of sharing Komproment's experience. Komproment is therefore solely responsible for the delivered building materials and the quality of these.

The drawing is not to scale. All dimensions are in mm.

Copyright © Komproment Danish Building Design

Z-11

General information

Date: 10-11-2019

ZAPPA

Tlf: +45 96520710 Fax: +45 96520111
E-Mail: teknik@komproment.dk
Web: www.komproment.com

NOTE: Komproment Danish Building Design make drawings available in the version they are. All use of the drawings is at your own risk and responsibility. The drawings are continually updated with relevant updates/changes on our website. You are responsible for keeping up-to-date with the changes. The drawings are made available in the following FORMATS: PDF and DWG. All drawings are indicative. There is no guarantee that the drawings are suitable for all purposes.

KOMPROMENT
DANISH BUILDING DESIGN