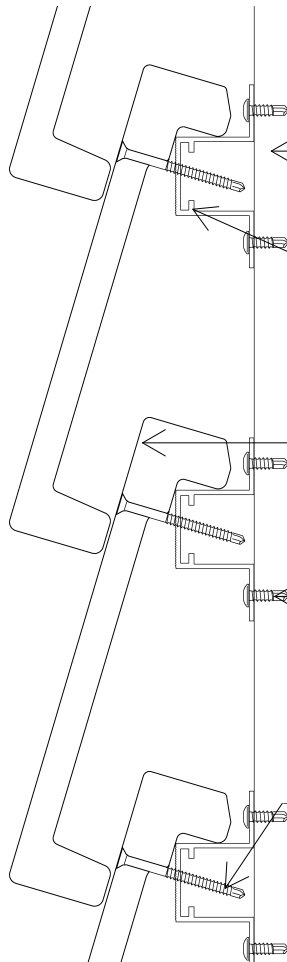


Bill of materials - URBAN U



Vertical aluminium spacers.
ALU, EN AW-6060 [Al MgSi].
Aproxx. 0,26 kg/m.

Horizontal aluminium battens.
ALU, EN AW-6060 [Al MgSi].
Aproxx. 0,65 kg/m.

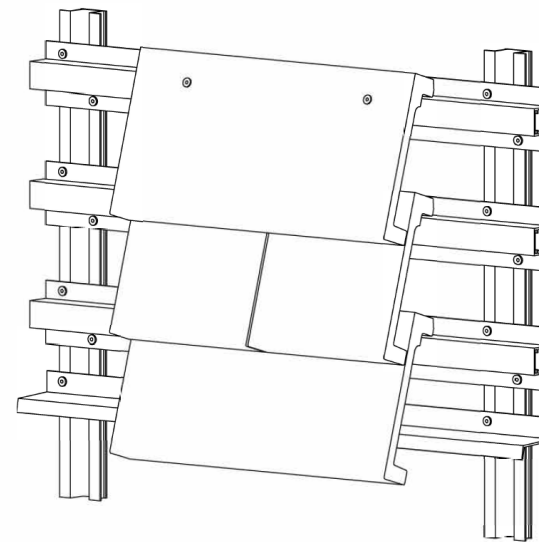
URBAN U tile.
Aproxx. 2,60 kg/pcs.

Screws for alu/alu.
Stainless steel - A4 (AISI
304). Aproxx. 0,3 kg/100 pcs.

Screws for URBAN U tiles.
Stainless steel - A4 (AISI 304).
Aproxx. 0,50 kg/100 pcs.

Design for Disassembly

*URBAN U is designed according to the principles
"Design for Disassembly".*



Komproment

 wienerberger

Information only applies for components provided by www.komproment.dk